

ULTRA BLINDER IP

BL 200 IP



Light Source
2 x 260W RGBA+WW LED

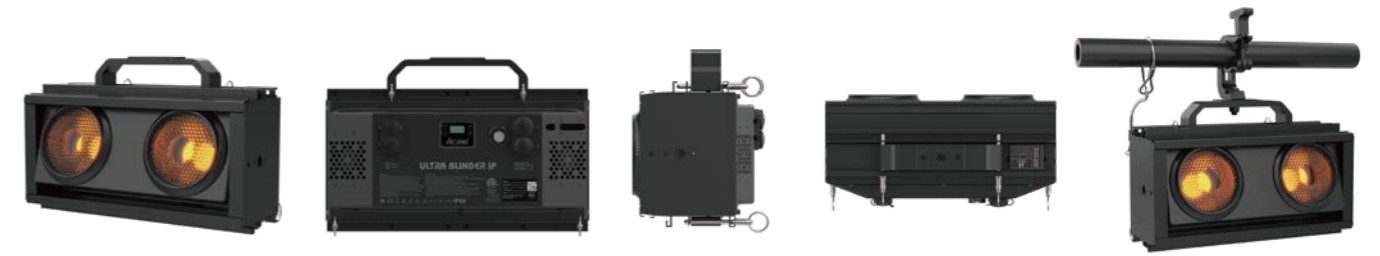
Beam Angle
49°

Field Angle
82°

Protection Rating
IP66



ULTRA BLINDER IP



Main Features

Light Source: 2 x 260W RGBA+WW LED

Beam Angle: 49°

Field Angle: 82°

Total Lumen Output of Fixture: 14,700 lumens

IP66 rated

Two light heads can be adjusted up and down at the same time

Integrated interlocking system for combining units

Variable CTO ranging from 2,500K-8,000K

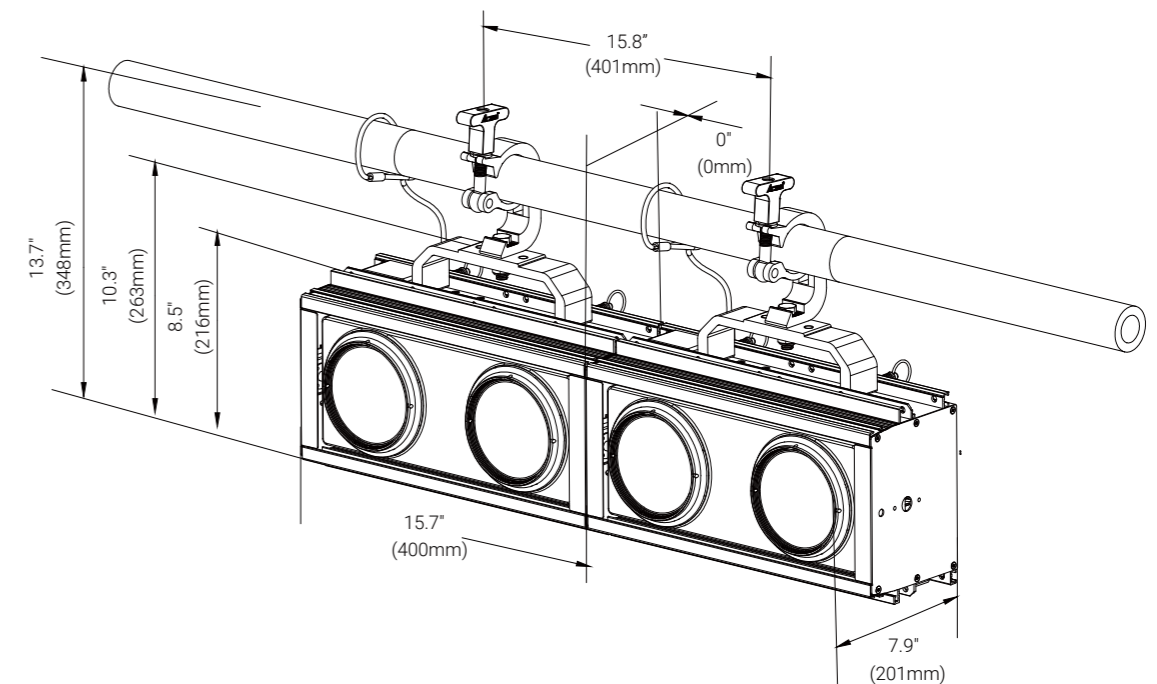
Tungsten emulation during dimming

Outstanding color mixing

Outstanding strobe effect with variable speed

Smooth dimming 0-100%

Technical Specifications



Light Source

- Light Source: 2 x 260W RGBA+WW LED
- Total Lumen Output of Fixture: 14,700 lumens
- Life Expectancy: 20,000 hours*

*Source manufacturer specification

Optical System

- Beam Angle: 49°
- Field Angle: 82°

Colors

- Linear CTO Color Correction: 2,500K-8,000K



Other Effects

- Tungsten emulation during dimming
- Outstanding color mixing
- Two light heads can be adjusted up and down at the same time
- Outstanding strobe effect with variable speed
- Smooth dimming 0-100%

Control

- 4 touch button control panel
- Display: LCD display
- Protocols: DMX512, RDM
- DMX Protocol Modes: 11
- Control Channels: 1/2/4/6/ 6/7/9/10/11/14/16
- Firmware Upgrade: Upgrade via DMX link

Electrical and Connectors

- Input Voltage Range: 100-240Vac; 50/60Hz
- Power Consumption: 235W
- Power In/Out: Waterproof power connector in/out
- Data In/Out: 3-pin or 5-pin waterproof XLR
- Maximum Quantity of Connections:
230V, 50Hz: 12 units
120V, 60Hz: 6 units

Physical Information

- Fixture Dimensions:
400 x 201 x 263 mm (15.7" x 7.9" x 10.4")
- Weight: 8.2 kg (18.1 lbs)

Packing Information

- Flight Case Dimensions:
1,220 x 610 x 690 mm (48.0" x 24.0" x 27.2")
- Weight:
Standard:
G.W.: 127.0 kg (280.0 lbs) (eight-pack loader case)
North American Standard:
G.W.: 134.1 kg (295.6 lbs) (eight-pack loader case)
- Carton Dimensions:
565 x 315 x 290 mm (22.2" x 12.4" x 11.4")
- Weight:
G.W.: 11.5 kg (25.4 lbs) (one-pack loader carton)

Work Environment

- Maximum Ambient Temperature: 40°C
- Minimum Operating Temperature: -10°C
- Maximum Surface Temperature: 65°C
- Protection Rating: IP66

Installation

- Horizontal or vertical mounting
- Universal working position
- 1 clamp for 50 mm truss
- 1 omega bracket
- Integrated interlocking system for combining units
- Vertical: Using one small hanging bracket (supplied) with clamp (by others), a maximum of 4 fixtures may be connected
- Using one or two small hanging brackets (supplied) with clamp (by others), a maximum of 2 layers (3 fixtures) may be connected
- Utilizing one large double vertical hanging bracket assembly (sold separately), a maximum of 2 fixtures may be connected
- Safety cable attachment point

Included Items

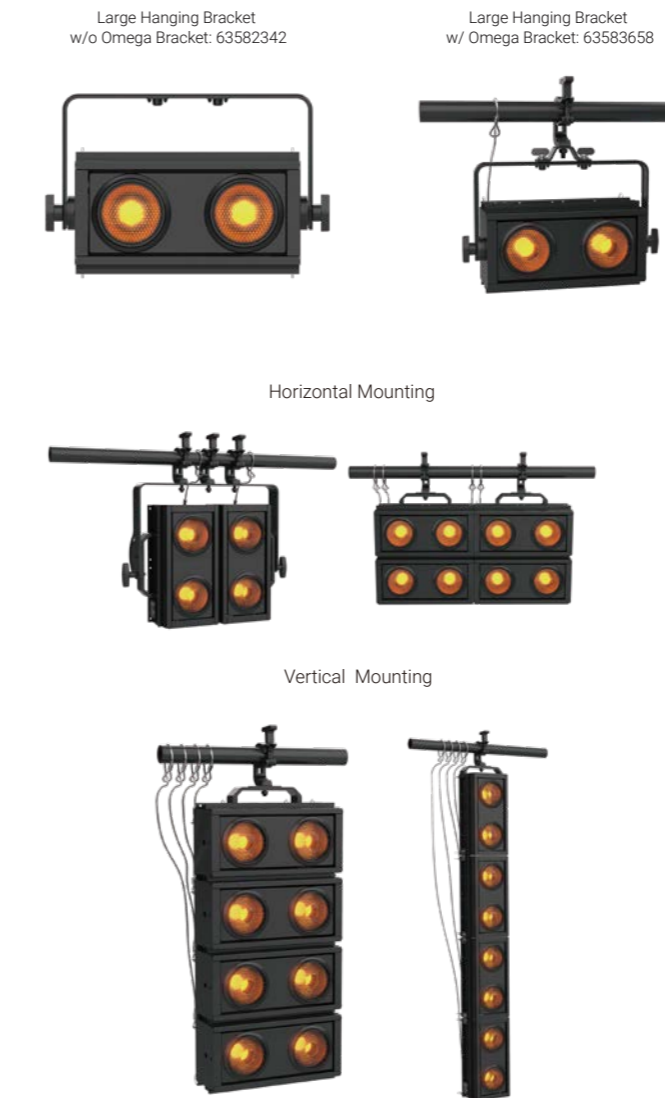
- Digital user manual
- Power cable
- Small hanging bracket (50137301701100)

Optional Accessories (With Order Code)

- Flight Case:
Standard : Eight-pack loader case (63583607)
North American Standard : Eight-pack loader case (63583608)
- Clamps: C-250B (2060001632-B)
- Safety Cable: SW-05 (2060001603-A)
- Signal Cable: 3-pin waterproof signal cable (3017013468) or 5-pin waterproof signal cable (3017013473)
- Large Hanging Bracket w/o Omega Bracket: 63582342
- Large Hanging Bracket w/ Omega Bracket: 63583658
- Large Double Vertical Hanging Bracket Assembly: 63580738

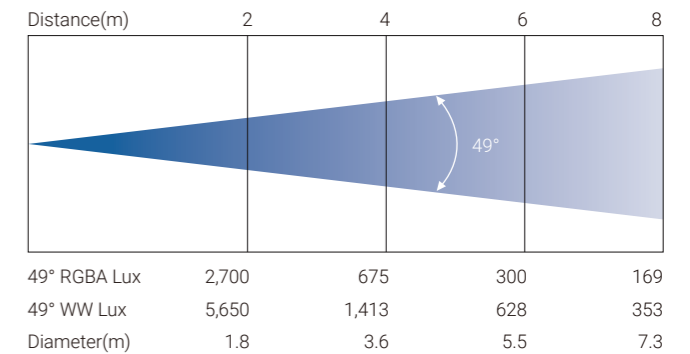


Mounting Options

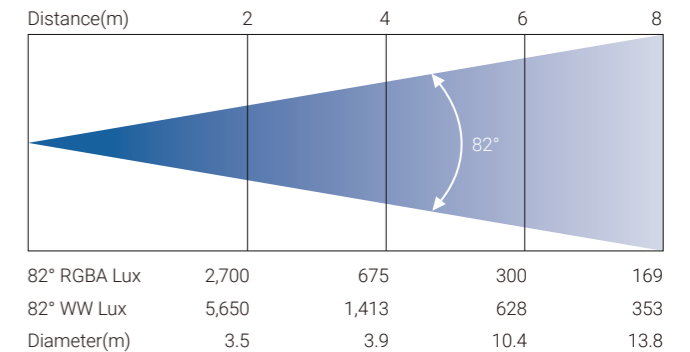


Photometric (Images)

Beam Angle:



Field Angle:



Specifications subject to change without notice.

12/19/2024