

Stage Blinder IP WW2

BL-200 WW2



Light Source
2 x 125W LED module

Beam Angle
50°

Field Angle
90°

Protection Rating
IP66

Acme

STAGE BLINDER IP WW2



Main Features

Light Source : 2 x 125W LED module

Beam Angle : 50°

Field Angle : 90°

Color Temperature Output of Fixture: 2,700 / 1,200K

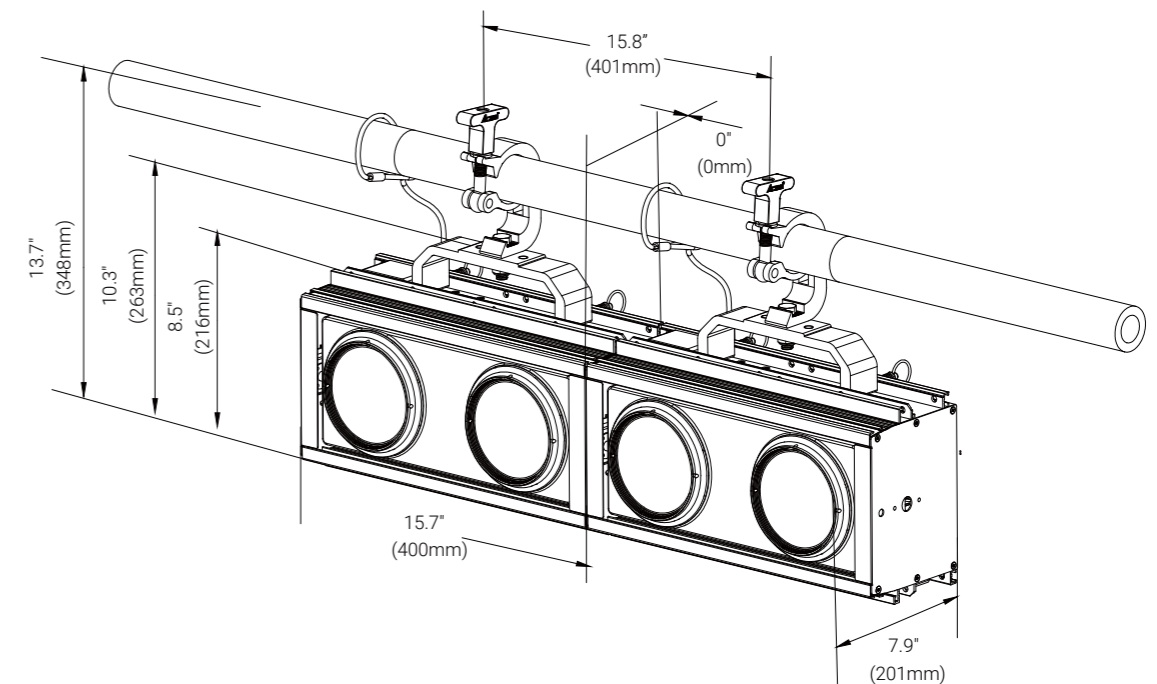
Outstanding strobe effect with variable speed

Smooth dimming 0-100%

Flicker-free management

Unique tungsten effect

Technical Specifications



Light Source

- Light Source: 2 x 125W LED module
- Color Temperature Output of Fixture: 2,700 / 1,200K
- Life Expectancy: 10,000 hours*

*Source manufacturer specification

Optical System

- Beam Angle : 50°
- Field Angle : 90°

Other Effects

- Outstanding strobe effect with variable speed
- Smooth dimming 0-100%
- Flicker-free management
- Unique tungsten effect
- Ultra-high brightness, brighter than traditional audience blinder
- Prevent splashing water intrusion

Control

- 4 touch button control panel
- Display: LCD display
- Protocols: DMX512,RDM
- DMX Protocol Modes: 4
- Control Channels: 1/2/4/6
- Firmware Upgrade: Upgrade via DMX link

Electrical and Connectors

- Input Voltage Range: 100-240Vac; 50/60Hz
- Power Consumption: 235W
- Power In/Out: Waterproof power connector in/out
- Data In/Out: 3-pin or 5-pin XLR
- Power supply with electronic auto-ranging
- Physical Information
- Maximum Connection:
120V, 60Hz = 4 sets/230V, 50Hz = 8 sets

Physical Information

- Fixture Dimensions:
400 x 215 x 200 mm (15.7" x 8.4" x 6.8")
- Weight: 6.8 kg (14.9 lbs)

Packing Information

- Flight Case Dimensions:
1,245 x 570 x 648 mm (49.0" x 22.4" x 25.5")
- Weight :
Standard: G.W.: 99.6 kg (219.6 lbs) (Eight-pack loader case)

Work Environment

- Maximum Ambient Temperature: 40°C
- Minimum Operating Temperature: 0°C
- Maximum Surface Temperature: 65°C
- Protection Rating: IPX4

Installation

- Horizontal or vertical mounting
- Universal working position
- Foot-stands with 3 locking points
- Safety cable attachment point

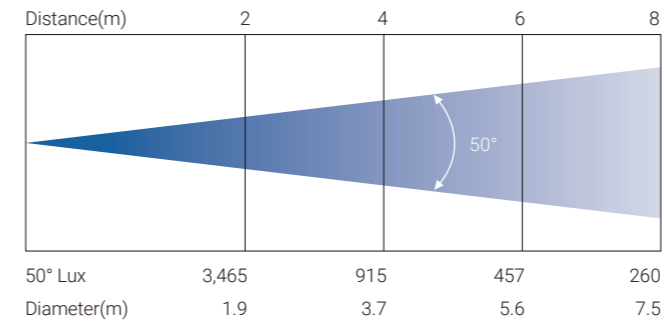
Joint Schematics



Two adjustable angles for LED module:
① 0, 7.5,15
② 0,-7.5,-15

Photometric (Images)

Beam Angle:



Specifications subject to change without notice.
12/31/2024