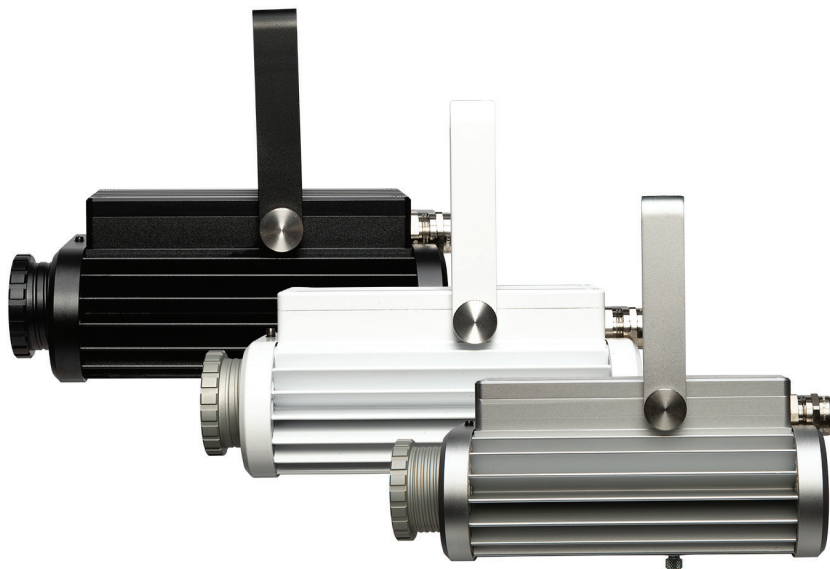


Product Launch Information

Image Spot[®] Line Extensions

Brilliant Imaging.



.....
Data Sheets

.....
Part Numbers

Brilliant Imaging.

Crystal clear optics allow you to project vivid images and messaging up to 40 ft. (12m) away! Using a mere 45W of power, the Image Spot LED projector packs an amazing amount of light output from a versatile and compact design.

The cool white or warm white LEDs ensure bright imaging in virtually any environment. An available filter kit allows the Image Spot to be used to illuminate subjects in museums, themed entertainment and hospitality venues.

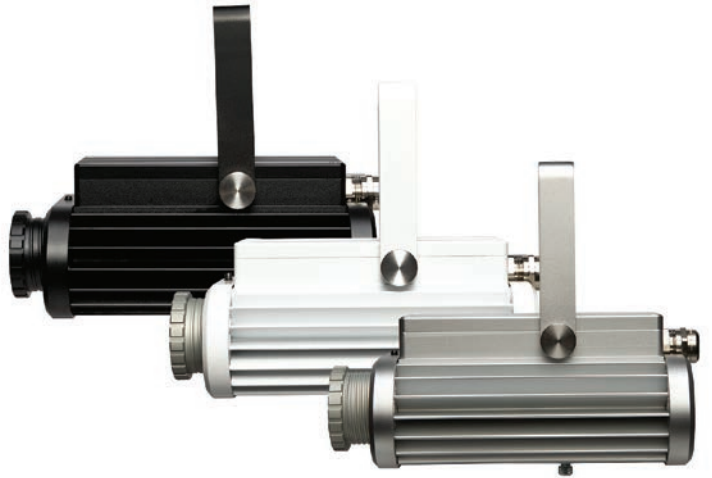
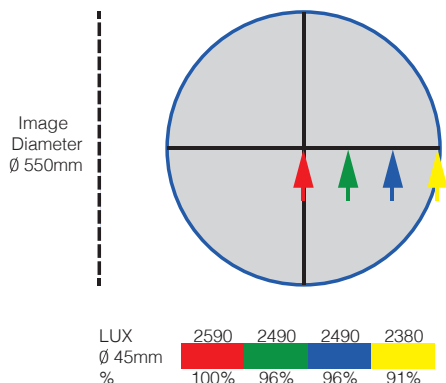


Image Spot™ HT

KEY FEATURES

- 40W LED array with 19°, 25° or 30° beam optics provide superb image uniformity and fringe-free shadows
- IP40 rating for indoor use or IP65 rating for outdoor use HT variant for high ambient temperature environments
- Accepts Rosco Image Spot Gobos and Permacolor Dichroic Glass Color Filters
- Available OPTI-FLECS filter packs for beam diffusion
- Accepts universal line voltage input allowing operation anywhere around the globe
- On board dimming control
- DMX512 compatibility provides flicker-free dimming throughout the range: 100% ~ 0%
- Passive cooling means operation is completely silent
- Standard Color Options: Black, White and Silver

Superior Uniformity Across Entire Field



SPECIFICATIONS

Input Voltage:	100-240VAC
Power Consumption:	45 Watts at maximum output
Color Temp. Options:	5500K or 3000K
CRI:	5500K Model: 80 3000K Model: 96
Output:	5500K Model: 3,000 lumens 3000K Model: 2,400 lumens
Lumen Maintenance:	50,000 hours at 45°C (LM-79-08)
Power Connection:	6.5 ft (2m) insulated cable, unterminated (connector not included)
Data:	DMX512 RJ45 Connector (IP40) 2m Cat5e Cable/Gland (IP65)
DMX Addressing:	USB to RJ45 Programming Cable (IP40) USB to RS485 Programming Cable (IP65) Rosco Programming Software: www.rosco.com/imagespot/software
Dimensions:	Image Spot (including yoke): 7.8 in x 4.8 in x 6.8 in (198mm x 123mm x 172mm) Image Spot HT (including yoke): 9.3 in x 4.8 in x 6.8 in (236mm x 123mm x 172mm)
Weight:	Image Spot: 5.5 lbs (2.5 kg) Image Spot HT: 5.9 lbs (2.7 kg)
Operating Temp.:	Image Spot: -13° to 104° F (-25° to 40° C) Image Spot HT: -13° to 122° F (-25° to 50° C)
Humidity:	0 - 95% non-condensing
Housing:	Anodized Aluminum Extrusion
Approvals:	ETL / UL Standards #62368-1 and #60950-22 cETL / CSA C22.2 #62368-1 and #6095-22 CE IP40 Rated (indoor use) or IP65 Rated (outdoor use)

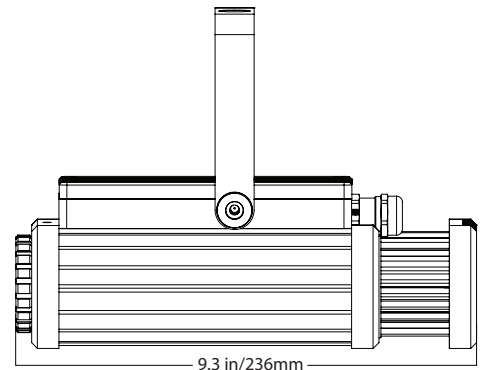
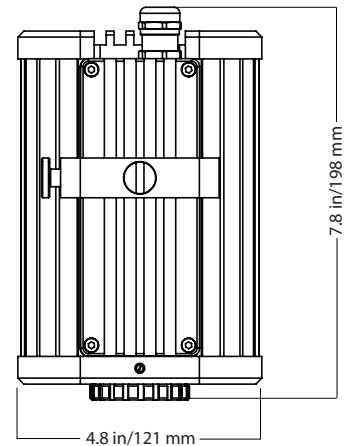
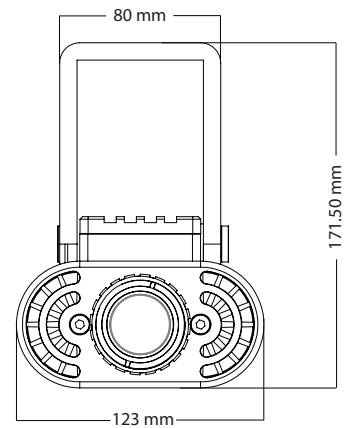
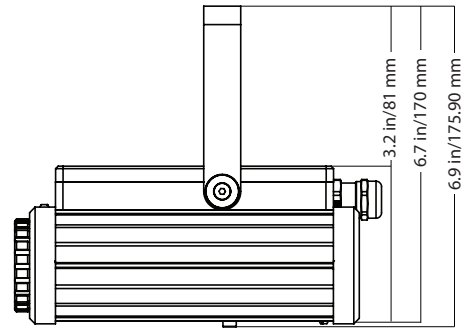


Image Spot® HT



Image Spot® Projector IP40, with DMX

Item Code	Description
296 00004 0401	Image Spot 5500K - IP40 - w/o Lens - Black
296 00004 0402	Image Spot 5500K - IP40 - w/o Lens - White
296 00004 0403	Image Spot 5500K - IP40 - w/o Lens - Silver
296 00003 0401	Image Spot 3000K - IP40 - w/o Lens - Black
296 00003 0402	Image Spot 3000K - IP40 - w/o Lens - White
296 00003 0403	Image Spot 3000K - IP40 - w/o Lens - Silver

Image Spot® Projector IP65, Non-DMX

Item Code	Description
296 00004 0651	Image Spot 5500K - IP65 - w/o Lens - Black
296 00004 0652	Image Spot 5500K - IP65 - w/o Lens - White
296 00004 0653	Image Spot 5500K - IP65 - w/o Lens - Silver
296 00003 0651	Image Spot 3000K - IP65 - w/o Lens - Black
296 00003 0652	Image Spot 3000K - IP65 - w/o Lens - White
296 00003 0653	Image Spot 3000K - IP65 - w/o Lens - Silver

Image Spot® Projector IP65, with DMX

Item Code	Description
296 00004 1651	Image Spot 5500K - IP65 w/DMX - w/o Lens - Black
296 00004 1652	Image Spot 5500K - IP65 w/DMX - w/o Lens - White
296 00004 1653	Image Spot 5500K - IP65 w/DMX - w/o Lens - Silver
296 00003 1651	Image Spot 3000K - IP65 w/DMX - w/o Lens - Black
296 00003 1652	Image Spot 3000K - IP65 w/DMX - w/o Lens - White
296 00003 1653	Image Spot 3000K - IP65 w/DMX - w/o Lens - Silver

Image Spot® HT Projector IP65, with DMX

Item Code	Description
296 00006 1654	Image Spot HT 5500K - IP65 w/DMX - w/o Lens - Black
296 00006 1655	Image Spot HT 5500K - IP65 w/DMX - w/o Lens - White
296 00006 1656	Image Spot HT 5500K - IP65 w/DMX - w/o Lens - Silver
296 00006 1651	Image Spot HT 3000K - IP65 w/DMX - w/o Lens - Black
296 00006 1652	Image Spot HT 3000K - IP65 w/DMX - w/o Lens - White
296 00006 1653	Image Spot HT 3000K - IP65 w/DMX - w/o Lens - Silver

Image Spot® Lens Optics	
Item Code	Description
296 00001 0019	Image Spot Narrow Angle Lens Optic/19° - Black
296 00001 0025	Image Spot Medium Angle Lens Optic/25° - Black
296 00001 0030	Image Spot Wide Angle Lens Optic/30° - Black
296 00001 0119	Image Spot Narrow Angle Lens Optic/19° - Silver
296 00001 0125	Image Spot Medium Angle Lens Optic/25° - Silver
296 00001 0130	Image Spot Wide Angle Lens Optic/30° - Silver

Image Spot® Accessories	
Item Code	Description
296 00001 0013	Image Spot OPTI-FLECS Filter Pack
296 00001 0052	Image Spot Lens Cover Kit
296 00001 0017	Image Spot USB to RJ45 Programming Cable
296 00001 0011	Image Spot USB to RS485 Programming Cable
296 00001 0012	Image Spot Safety Cable, 3ft (1m)
296 00000 5001	Rosco Pole Mount Accessory - Black
296 00000 5002	Rosco Pole Mount Accessory - White
296 00000 5003	24" Stainless Steel Strap Rosco Pole Mount Kit - 3-Pack
296 00000 5004	Rosco Wall Mount Accessory - Black
296 00000 5005	Rosco Wall Mount Accessory - White

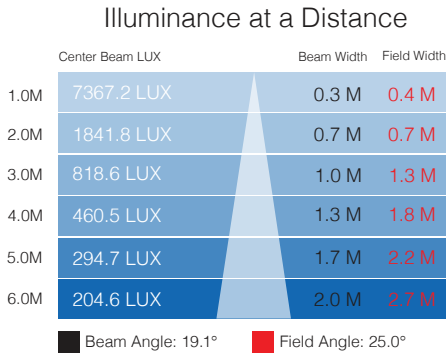
Image Spot Gobos & Permacolour Filters

For optimum image quality and performance, use Rosco Image Spot Gobos and Permacolor Filters, which feature custom bezels that enable a secure fit inside the Image Spot gobo cassette.

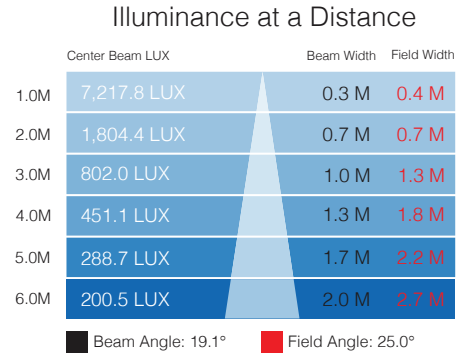
Image Spot® Gobos	
Item Code	Description
Standard Gobos	
XXXXX-SPOT	Image Spot Standard Gobo XXXXX = The five digit standard gobo number
Custom Gobos	
250 7210I SPOT	Image Spot Custom Steel Gobo
260 CUSBW OSPO	Image Spot Custom B&W Glass Gobo
260 CUS1C OSPO	Image Spot Custom One-Color Glass Gobo
260 CUS2C OSPO	Image Spot Custom Two-Color Glass Gobo
260 CUSMC OSPO	Image Spot Custom Multi-Color Glass Gobo

Permacolor™ Dichroic Filters	
Item Code	Description
1203 XXXX SPOT	Image Spot Permacolor Dichroic Glass Filter XXXX = the four digit color number (includes bezel to fit inside gobo cassette)

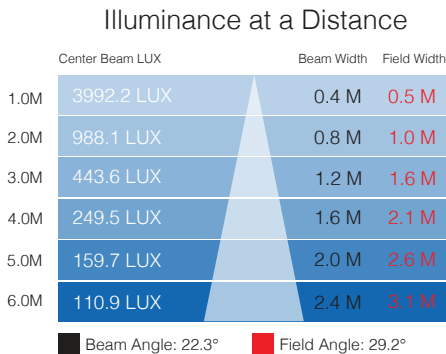
PHOTOMETRIC DATA FOR NARROW BEAM LENS 3000K



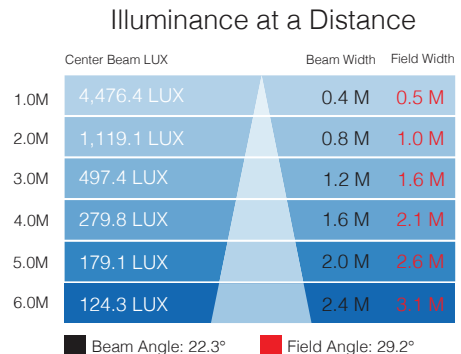
PHOTOMETRIC DATA FOR NARROW BEAM LENS 5000K



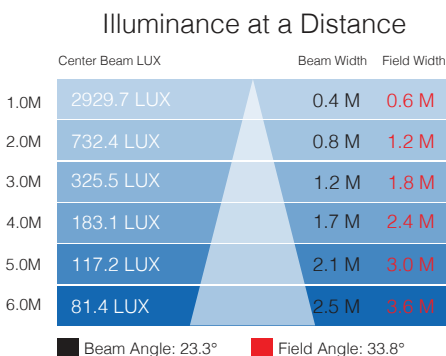
PHOTOMETRIC DATA FOR MEDIUM BEAM LENS 3000K



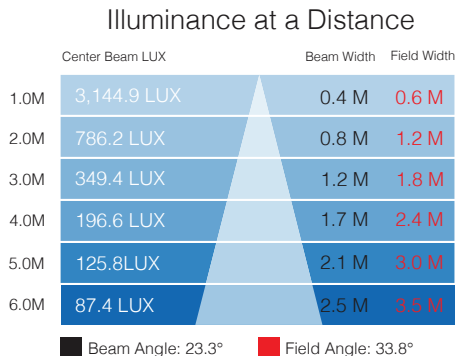
PHOTOMETRIC DATA FOR MEDIUM BEAM LENS 5000K



PHOTOMETRIC DATA FOR WIDE BEAM LENS 3000K



PHOTOMETRIC DATA FOR WIDE BEAM LENS 5000K



Brilliant Imaging.

The Image Spot UV LED projector is the ideal fixture for creating textured UV illumination in theme park attractions and hospitality venues.

The UV emitters inside the fixture's IP65 housing ensure bright imaging in virtually any fluorescent environment. Using a mere 45W of power, the Image Spot packs an amazing 9,000 mW of ultra-violet output from a versatile and compact design. The fixture's powerful output, combined with its crystal clear optics, provides designers with fluorescent illumination from up to 40 ft. (12m) away!

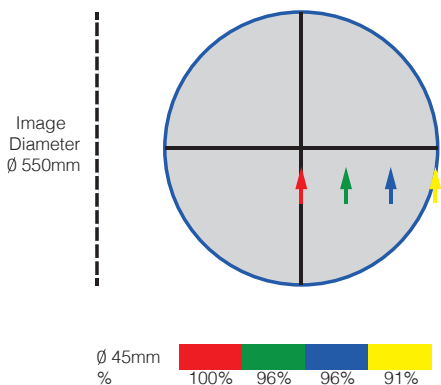
An included dichroic filter inhibits all visible wavelength emissions from the projector to provide optimal 365nm output.



KEY FEATURES

- Powerful, 40W LED array coupled with crystal clear beam optics provide long throw capabilities and superb field uniformity
- IP65 rating enables use indoors and outdoors
- Included dichroic glass, UV-Pass filter inhibits visible light output to provide optimal 365nm output.
- Accepts Steel or B&W Glass gobos to create a wide variety of illuminated fluorescent textures, patterns and effects
- Accepts universal line voltage input allowing operation anywhere around the globe
- On board dimming control
- DMX512 compatibility provides flicker-free dimming throughout the range: 100% ~ 0%
- Passive cooling for completely silent operation

Superior Uniformity Across Entire Field



SPECIFICATIONS

Input Voltage:	100-240VAC
Power Consumption:	45 Watts at maximum output
Output:	9,000 mW
Peak Wavelength:	LED Emitters (without dichroic): 385 nm With included dichroic UV Pass filter: 365 nm
Lumen Maintenance:	20,000 hours at 25°C (LM-79-08)
Power Connection:	6.5 ft (2m) insulated cable, unterminated (connector not included)
Data:	DMX512 In/Out via a factory-installed, 2m, exterior-rated Cat5e Cable/Gland
DMX Addressing:	USB to RS485 Programming Cable (IP65) Rosco Programming Software: www.rosco.com/imagespot/software
Dimensions:	7.8 in x 4.8 in x 6.8 in (198mm x 123mm x 172mm) (including yoke)
Weight:	5.5 lbs (2.5 kg)
Operating Temperature:	-13° to 104° F (-25° to 40° C)
Humidity:	0 - 95% non-condensing
Housing:	Anodized Aluminum Extrusion
Approvals:	ETL / UL Standards #62368-1 and #60950-22 cETL / CSA C22.2 #62368-1 and #6095-22 IP65 Rated (outdoor use)

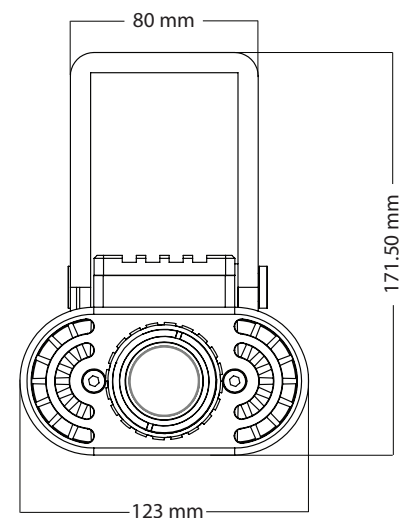
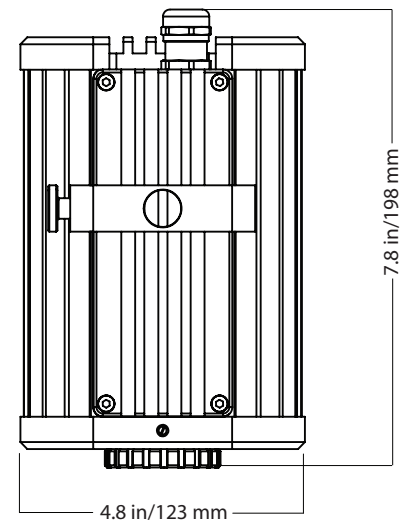
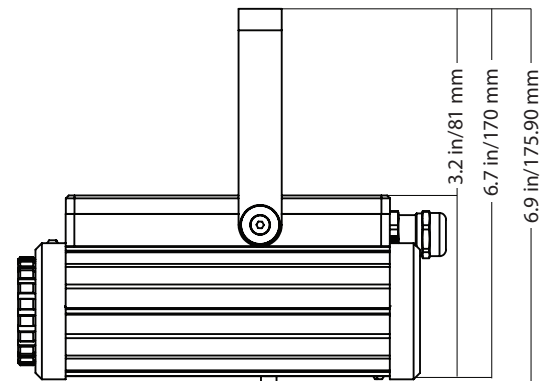


Image Spot® UV, with DMX	
Item Code	Description
296 00002 1657	Image Spot UV - IP65 w/DMX - w/o Lens - Black

Image Spot® Lens Optics	
Item Code	Description
296 00001 0019	Image Spot Narrow Angle Lens Optic/19° - Black
296 00001 0025	Image Spot Medium Angle Lens Optic/25° - Black
296 00001 0030	Image Spot Wide Angle Lens Optic/30° - Black

Image Spot® UV Accessories	
Item Code	Description
296 00001 0052	Image Spot Lens Cover Kit
296 00001 0011	Image Spot USB to RS485 Programming Cable
296 00001 0012	Image Spot Safety Cable, 3ft (1m)
296 00000 5001	Rosco Pole Mount Accessory - Black
296 00000 5002	Rosco Pole Mount Accessory - White
296 00000 5003	24" Stainless Steel Strap Rosco Pole Mount Kit - 3-Pack
296 00000 5004	Rosco Wall Mount Accessory - Black
296 00000 5005	Rosco Wall Mount Accessory - White

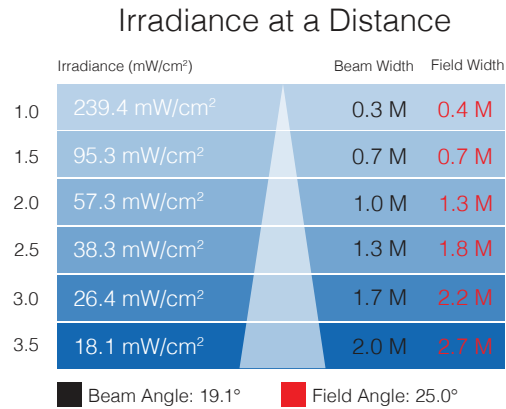
Image Spot Gobos

For optimum image quality and performance, use Rosco Image Spot Gobos that feature custom bezels ensuring a secure fit inside the Image Spot UV gobo cassette.

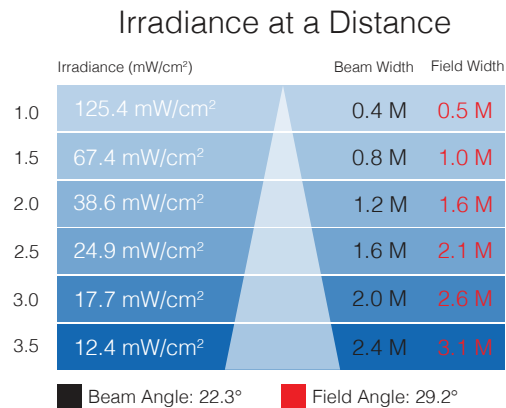
(Note: The Image Spot UV ships with a dichroic glass, UV-Pass filter already inserted into the gobo cassette. There is room for one gobo in addition to the filter inside the cassette.)

Image Spot® Gobos	
Item Code	Description
<i>Standard Gobos</i>	
XXXXX-SPOT	Image Spot Standard Gobo XXXXX = The five digit standard gobo number
<i>Custom Gobos</i>	
250 7210I SPOT	Image Spot Custom Steel Gobo
260 CUSBW OSPO	Image Spot Custom B&W Glass Gobo

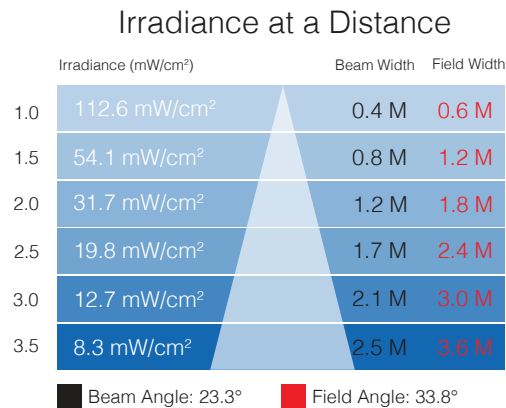
PHOTOMETRIC DATA FOR NARROW BEAM LENS



PHOTOMETRIC DATA FOR MEDIUM BEAM LENS



PHOTOMETRIC DATA FOR WIDE BEAM LENS



Part Numbers

July 2018

Image Spot [®] , HT, UV	
Item Code	Description
296000021657	Image Spot UV - IP65 - DMX - w/o Lens - Black
296000030401	Image Spot 3000K - IP40 - w/o Lens - Black
296000030402	Image Spot 3000K - IP40 - w/o Lens - White
296000030403	Image Spot 3000K - IP40 - w/o Lens - Silver
296000030651	Image Spot 3000K - IP65 - w/o Lens - Black
296000030652	Image Spot 3000K - IP65 - w/o Lens - White
296000030653	Image Spot 3000K - IP65 - w/o Lens - Silver
296000031651	Image Spot 3000K - IP65 - DMX - w/o Lens - Black
296000031652	Image Spot 3000K - IP65 - DMX - w/o Lens - White
296000031653	Image Spot 3000K - IP65 - DMX - w/o Lens - Silver
296000061651	Image Spot HT 3000K - IP65 - DMX - w/o Lens - Black
296000061652	Image Spot HT 3000K - IP65 - DMX - w/o Lens - White
296000061653	Image Spot HT 3000K - IP65 - DMX - w/o Lens - Silver
296000061654	Image Spot HT 5500K - IP65 - DMX - w/o Lens-Black
296000061655	Image Spot HT 5500K - IP65 - DMX - w/o Lens-White
296000061656	Image Spot HT 5500K - IP65 - DMX - w/o Lens-Silver
296000010119	Narrow Angle Lens Optic / 19 Degree / Silver
296000010125	Medium Angle Lens Optic / 25 Degree / Silver
296000010130	Wide Angle Lens Optic / 30 Degree / Silver
296000010052	Image Spot Lens Cover Kit

- **All Image Spot products including accessories are Priced on Application (POA). Please contact Rosco for pricing and associated Project Registrations.**
- There are no Drop Ship Charges applied to Image Spot Projector products.
- Export of Product by Dealers is not allowed unless approved by Rosco Global Sales. Please contact your Account Representative or Customer Service for details.
- All shipments are FOB (Ex-Works) Shipping Point:
- North American stocking points are Stamford, CT and Sun Valley, CA in the United States, and Toronto, ON in Canada. EMEA Stocking points are London, UK and Madrid, Spain.
- Rosco will make every attempt to maintain stock in all facilities but does not guarantee availability nor accept responsibility to offset freight costs.
- **Warranty:** Rosco Laboratories warrants for Three Years that Rosco Image Spot Projectors meet the applicable specifications from the time Rosco or Authorized Dealer ships the product. Please refer to your Account Representative or Customer Service for details.